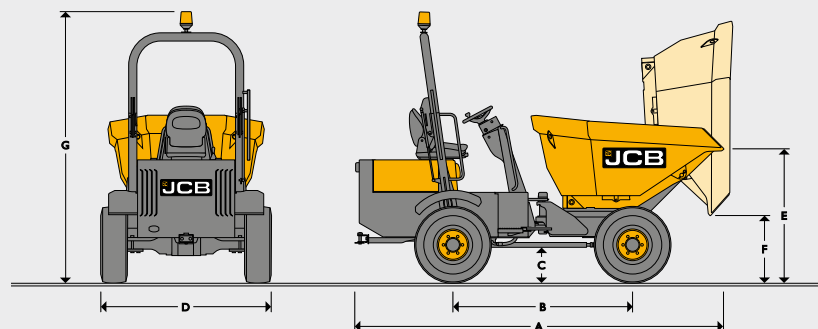


STATIC DIMENSIONS AND CAPACITIES



		1THT	2TFT	2TST	2THS	3TFT	3TST	3TFT	3TST	3.5TST	6TFT	6TST	9TFT	10TFT
A	Overall length	mm	2980	3570	3550		3725	3952	3725	3952	4405	4539	4484	4530
B	Wheel base	mm	1440	1900	1900	1900	1939	1939	1939	1939	2450	2450	2450	2450
C	Minimum ground clearance	mm	241	184		279		385		410				
D	Width over tyres	mm	998*/1120	1492		1957		1846	1957	1846	2300	2207	2500	2550
E	Height to front lip of skip (untipped)	mm	1167	1323	1360	1522	1371	1467	1371	1467	1672	1732	1722	1760
F	Height to front lip of skip (tipped)	mm	1620 (raised)	916	983	1142 (lowered) / 1640 (raised)	208	762	208	762	504	1258	430	440
	Turning radius to outside of skip	mm	2295	3680	3680	3680	4711	4553	4711	4553	5863	5726	5994	6011
	Steering angle		+/- 45°		+/- 30.6°		+/- 30°		+/- 30°		+/- 30°		+/- 30°	
	Oscillation		+/- 14°		+/- 10.5°		+/- 10.5°		+/- 10.5°		+/- 10°		+/- 10°	
G	Height to top of ROPS (raised with beacon)	kg	2832	2920		2920		2920		3178		3178	3635	3635

CAPACITIES

Payload	kg	1000	2000	2000	2000	3000	3000	3000	3000	3500	6000	6000	9000	10000
Unladen weight	kg	1310	1964	2082	2166	2280	2330	2290	2340	2340	4115	4265	4770	4815
Tipping type		Front Tip - High Tip	Front Tip	Swivel Tip	Swivel Tip - High Tip	Front Tip	Swivel Tip	Front Tip	Swivel Tip	Swivel Tip	Front Tip	Swivel Tip	Front Tip	Front Tip
Skip capacity (water)	litres	320	750	750	750	1250	1000	1250	1000	1000	1950	1850	2064	2446
Skip capacity (struck)	litres	450	1000	1000	1000	1600	1520	1600	1520	1520	2750	2740	3899	4128
Skip capacity (heaped)	litres	540	1200	1200	1200	1950	1880	1950	1880	1880	3780	3530	4587	5046

*When fitted with narrow tyres

ENGINE

Type		1THT	2TFT	2TST	2THS	3TFT	3TST	3TFT	3TST	3.5TST	6TFT	6TST	9TFT	10TFT
Engine model		Kubota D905		Kubota D1703M		Kubota V2203M		Kubota V2203M		JCB EcoMAX		Deutz TCD 3.6L4		
Capacity	ltr	0.898		1647		2197		2197		4400		3621		
Aspiration		Naturally Aspirated		Naturally Aspirated		Naturally Aspirated		Naturally Aspirated		Turbocharged		Turbocharged		
Cylinders		3		3		4		4		4		4		
Max gross power to SAE J1995/ISO 14396	kW (hp)	15.5 (20.8)		24.5 (32.6)		32.4 (43.5)		32.4 (43.5)		55 (74)		90 (121)		
Max torque	Nm	56		105		147		147		400		480		
Emissions		EU Stage 3A		EU Stage 3A		EU Stage 3A		EU Stage 3A		EU Stage IV/Tier4 Final		EU Stage 3B/Tier 4 Interim		

TRANSMISSION														
		1THT	2TFT	2TST	2THS	3TFT	3TST	3TFT	3TST	3.5TST	6TFT	6TST	9TFT	10TFT
Type		Hydrostatic Pump to hydraulic wheel motors	Hydrostatic Motor via Transfer Box to Front and Rear Axles			Manual Gearbox via Transfer Box to Front and Rear Axles		Hydrostatic Motor via Transfer Box to Front and Rear Axles			Hydrostatic Motor via Transfer Box to Front and Rear Axles			
Tyre Size		255 / 75 x 15.2 x 8 ply (option 7.0 x 12 narrow tyre)	10.0 / 75 x 15.3 (10 ply)			11.5 / 80 x 15.3 (14 ply)		11.5 / 80 x 15.3 (14 ply)			405-70-20 14PR		500-60-22.5 16PR	
Drive		Hydrostatic 1/1	2 / 2 (High and Low Range – Forward and Reverse) Hydrostatic – Permanent 4WD			Manual – 3 Forward / 1 Reverse		2 / 2 (High and Low Range – Forward and Reverse) Hydrostatic – Permanent 4WD			4 / 4 Forward and Reverse – Permanent 4WD			
Max travel speed	mph (kph)	7 (11)	10 (16)			11.8 (19)		11.8 (19)			16.3 (26.2)		18.2 (29.3)	
Gradeability (maximum slope gradient)		20% (1 in 5)	19.5% (1 in 5)					25% (1 in 4)					20% (1 in 5)	

ELECTRICAL SYSTEM															
		1THT	2TFT	2TST	2THS	3TFT	3TST	3TFT	3TST	3.5TST	6TFT	6TST	9TFT	10TFT	
System voltage	Volt							12V							
Alternator output	Amp hour	30A					55A				95A				
Battery capacity	Amp hour					74Ah				100Ah					

SERVICE FILL CAPACITIES														
		1THT	2TFT	2TST	2THS	3TFT	3TST	3TFT	3TST	3.5TST	6TFT	6TST	9TFT	10TFT
Hydraulic tank	litres	25				37		37			65		65	
Fuel tank	litres	35	23			37		37			50		50	

HYDRAULICS														
		1THT	2TFT	2TST	2THS	3TFT	3TST	3TFT	3TST	3.5TST	6TFT	6TST	9TFT	10TFT
Pump 1 max. flow	l/min	29	21			30				60				
Pump 1 max. pressure	bar	152	25			172	210	172	210		172		210	
Steering System		Orbitrol hydrostatic steering unit powering central hydraulic steering ram												

STEERING														
		1THT	2TFT	2TST	2THS	3TFT	3TST	3TFT	3TST	3.5TST	6TFT	6TST	9TFT	10TFT
Working Brake		Hydrostatic dynamic braking on rear wheel motors			Multi-plate in-board oil immersed discs on front axle					Foot brake-oil immersed discs on front/rear				
Parking Brake		Hydrostatic dynamic braking on rear wheel motors			Over centre handbrake-oil immersed discs on front axle					Over centre parking brake-dry disc in gearbox				

ENVIRONMENTAL														
		1THT	2TFT	2TST	2THS	3TFT	3TST	3TFT	3TST	3.5TST	6TFT	6TST	9TFT	10TFT
Noise Emission (to ISO 4871) - Sound Pressure (LpAd)	Gear				84.8db		84db			81 db		84db		
Sound Power level (LWA)		29	101 db			101db			101db		103db		103db	
Noise Compliance		Noise - Equipment Used Outdoors Directive 2000/14/EC												
Vibration – hand arm (as defined in EN474-1 all operations)		<2.5m/s ²												
Vibration – whole body (as defined in ISO/TR 25398-Work Cycle)		0.529rms (0.264m/s ² Uncertainty)												

STANDARD EQUIPMENT	Folding rops frame, reversing alarm, flashing beacon, hour meter, seat belt (high visibility orange), seat (adjustable fore/aft, operator weight and back angle), heavy-duty articulation lock, towing/recovery bucket (1T N/A), leg guard (optional on 1T, 6T, 9T and 10T), CESAR Datatag security (optional on 1T), wide tyres (255/75 x 15.2 8ply) (standard on 1T only), narrow tyres (7.00x12) (optional on 1T), water in fuel monitoring (on 3.5T, 6T, 9T and 10T), coolant level monitoring (on 3.5T, 6T, 9T and 10T).	OPTIONAL EQUIPMENT	High visibility safety decals for steps and handrails, rear view mirror, road lights (RTA) including light guards, spare wheel, special paint, fan guard (1T N/A).
---------------------------	---	---------------------------	--