



SPECIFICATION

JCB E-TECH



ELECTRIC DUMPER | ITE

Payload: 1Tonne Unladen weight: 1625kg Battery capacity: 10kWh

JCB

100% electric. Zero emissions.

JCB is leading the way in clean technology and reducing harmful emissions. That's why we are introducing JCB E-TECH, a new generation of electric products with zero emissions at point of use that don't compromise on performance. The new IT-E, 1 tonne fully electric machine challenges perceptions of where site dumpers can operate. With zero emissions during use, the machine can operate indoors and in noise sensitive environments.



INDUSTRY'S SAFEST.

ROPS frame ensures operator safety, while the LED amber and green beacons, fitted as standard, alert pedestrians to the machine's presence.

SILENT NIGHT.

The ITE electric dumper can carry on working through the night in any conditions, with near-silent operation and powerful LED work lights.

ZERO EMISSIONS.

The ITE is a new 1 tonne, fully-electric dumper designed to work in urban, air quality sensitive environments and enclosed spaces.



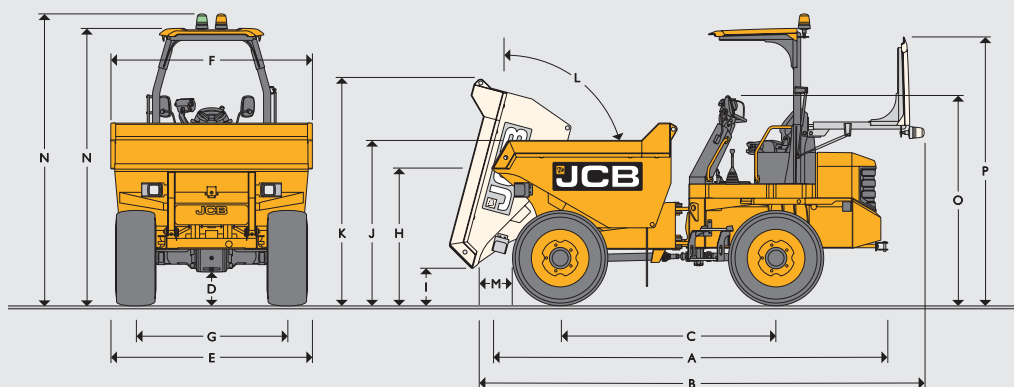
KEEP MOVING.

Powered by robust, lithium-ion batteries and charged using the JCB zero emission power pack, the ITE will work a full day's shift.

ULTIMATE VERSATILITY.

High-Tip skip allows the dumper to tip into skips and large containers. Compact design enables the machine to work in confined areas.

STATIC DIMENSIONS



STATIC DIMENSIONS AND CAPACITIES

A	Overall length	mm	3095
B	Overall length (ROPS or FOPS folded)	mm	3403
C	Wheelbase	mm	1500
D	Minimum ground clearance	mm	263
E	Total width (Standard/Narrow tyres)	mm	1126
F	Skip width	mm	980
G	Track width (Standard/Narrow tyres)	mm	860
I	Height to front lip of skip (untipped)	mm	1134/2259
H	Height to front lip of skip (tipped)	mm	452/1573
J	Load over height	mm	1268/2392
K	Height over skip (tipped)	mm	1865/3037
L	Skip tip angle	°	90
M	Discharge distance front	mm	391
	Discharge distance side	mm	-
	Turning radius to outside of skip	mm	2712
	Turning radius to outside of tyres	mm	2559
	Steering angle (+/-)	degrees	39
	Oscillation	degrees	15
N	Height to top of ROPS (with/without beacon)	mm	2792/2602
O	Height with folded ROPS	mm	1624
P	Height with folded ROPS/FOPS	mm	-

CAPACITIES

Payload	kg	1000
Operating weight	kg	1625
Tipping type		Front tip – high tip
Skip capacity (fluid)	l	307
Skip capacity (struck)	l	454
Skip capacity (heaped)	l	554

TRANSMISSION

Type	Hydrostatic motor via transfer box to front and rear axles	
Tyre size	255 / 75 x 15.3 x 8 ply	
Drive	Hydrostatic I/I	
Max. travel speed (unladen) 1st gear	mph (kph)	7.4 (11.9)

ELECTRICAL SYSTEM

System voltage	V	12
Alternator output	A	40
Battery capacity	Ah	80

SERVICE FILL CAPACITIES

Hydraulic tank	l	28
----------------	---	----

BRAKING

Working brake	Hydrostatic dynamic braking on rear wheel motors
Parking brake	Hydrostatic dynamic braking on rear wheel motors

CHARGING

On-board charger allowing direct connection to AC mains power supply	
Indicative Charge Time - 20-80%, subject to environmental conditions.	2hr 35min (@230V)
Off-board fast charge - 0-100% @ 415V	1hr 40min
Charging cable plug type	16A 110V (yellow) 16A 230V (blue) 16A 415V (red)

MOTOR

Motor Type	3 Phase AC Permanent Magnet
Motor Power	7kW continuous, 20kW peak

POWER SOURCE

Battery Type	Manganese laminated Lithium-ion
Gross Capacity	10 kWh
System Voltage	48V
Zero Emissions at point of use	



100% electric. Zero emissions.

Your nearest JCB dealer

Electric Dumper ITE

Payload: 1 Tonne Unladen weight: 1625kg Battery capacity: 10kWh

JCB Sales Limited, Rocester, Staffordshire, United Kingdom ST14 5JP.

Tel: +44 (0)1889 590312 Email: salesinfo@jcb.com

Download the very latest information on this product range at: www.jcb.com

©2009 JCB Sales. All rights reserved. No part of this publication may be reproduced, stored in a retrieval system, or transmitted in any form or by any other means, electronic, mechanical, photocopying or otherwise, without prior permission from JCB Sales. All references in this publication to operating weights, sizes, capacities and other performance measurements are provided for guidance only and may vary dependant upon the exact specification of machine. They should not therefore be relied upon in relation to suitability for a particular application. Guidance and advice should always be sought from your JCB Dealer. JCB reserves the right to change specifications without notice. Illustrations and specifications shown may include optional equipment and accessories. The JCB logo is a registered trademark of J C Bamford Excavators Ltd.

28911 en-GB 10/20 Issue 1

